

Cirrus 25



Features:

- High power size ratio
- Lightweight
- Easy to fit
- Pre-wired
- Independent fan circuit to aid climate cooling with heater off or directional heating with fan on.

DBK's knowledge of thermal management gives us the experience to guide and support you with your technical challenges - we can manage the complete project from concept to full production release.

Cirrus 25		25/1			25/2			
		5W	10W	20W	10W	20W	30W	40W
Nominal Power*	at 10°C	5W	10W	20W	10W	20W	30W	40W
Typical Max. Inrush Current (A) RMS	at 12V AC	0,5	1,5	3	-	2,5	4	5
Typical Max. Inrush Current (A) RMS	at 24V AC	1,3	1,3	3	2,5	-	5,5	9,5
Typical Max. Inrush Current (A) RMS	at 115/230V AC	-	-	-	-	0,5 / 2,5	1 / 3,5	1 / 3,5
Electrical Protection Class		III / SELV	III / SELV	III / SELV	III / SELV	I	I	I
Ingress Protection		IP20	IP20	IP20	IP20	IP20	IP20	IP20
Fan Volumetric Flow	(m³/h)	5,1	5,1	5,1	5,1	5,1	5,1	5,1
Fan Life Time - L10	bei 40°C (Std.)	120.000	120.000	120.000	120.000	120.000	120.000	120.000
Fan Operating Temperature Range	(°C)	-10 to +70	-10 to +70	-10 to +70	-10 to +70	-10 to +70	-10 to +70	-10 to +70
Nominal Input Voltage Fan	(V)	12 DC, 12 AC or 24 AC/DC			24 AC/DC	12 DC, 12 AC or 24 AC/DC		
Nominal Input Voltage Heater	(V)	12 DC, 12 AC or 24 AC/DC			24 AC/DC	12 AC/DC or 115/230	12 AC/DC or 24 AC/DC or 115/230	
Dimensions	Cross Section (mm)	26 x 27	26 x 27	26 x 27	26 x 27	26 x 27	26 x 27	26 x 27
Length	(mm)	50	50	50	72	72	72	72
Weight	(g)	60	60	60	90	90	90	90
Finger Guards at Outlet	(High Voltage Supply)	-	-	-	-	YES	YES	YES
Finger Guards at Outlet	(Low Voltage Supply)	Optional	Optional	Optional	Optional	Optional	Optional	Optional

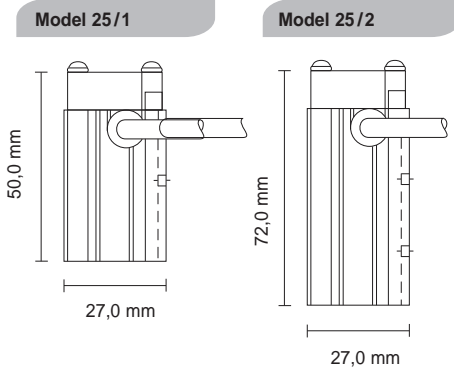
*Other power outputs available on request.

When specifying 12V fan, select either AC or DC operation. For 24V fan operation AC or DC can be applied.

Type	Size	Power	Fan input	AC / DC	Heater Voltage	Finger guard outlet**		DIN Clip**	
						1 / 0	1 / 0	1 / 0	1 / 0
C 25	2	30 W	12 V	DC	24 V	0	0	1	1

Order Code Example: C 25 / 2 - 30 W - 12 V - DC - 24 V - 0 - 1

** 1 = Yes, 0 = No



Options:

- Finger guard at outlet
- Smartcon® - Cable to allow fan operation from an AC supply of 12/24V
- Fixings - 35 mm DIN Rail clip (EN50022)

Matching Accessories:



- Thermostats (FGT100, FGT200)
- Dualstat (FGDT Series)